

Vario Jet

State-of-the-art hydrodemolition of concrete

The URACA Vario Jet stands for economical, efficient and careful large-surface demolition of concrete. The hydrodemolition technique has clear advantages comparing to other methods (surface milling, pneumatic hammer, flame jetting):

- No formation of microcracks in the concrete.
- No damage to the reinforcement.
- Complete rust removal on reinforcement.
- Good environmental compatibility.
- Selective demolition through »natural intelligence« of water jet.

Flexibility

Optimum surface performance and variable cutting technology through user-defined parameters:

- 360° swivel-mounted and rotatable cutting unit.
- User programmable oscillating pendulum movement of lance nozzle.
- User programmable jet angle.
- User programmable feed modulus/rate, switch or continual mode.
- User programmable cutting width.
- User programmable speed.

Technical features

- Automotive/self-propelled 4-wheel electric vehicle with 2 steerable and 2 powered/driven wheels
- Programmable controls for cutting data and digital display for settings.
- Remote control for easy positioning.
- High performance and low maintenance electrohydraulic drive system.
- Effective spray guard for cutting unit.
- Wide range of nozzles available: single nozzles, rotating cleaning nozzles RWD, rotating cutting nozzles RAD etc.



Concrete resurfacing and demolition with the URACA Vario Jet. The impressive demolition depth in hard concrete and the careful and efficient exposure of the reinforcement speaks for itself.



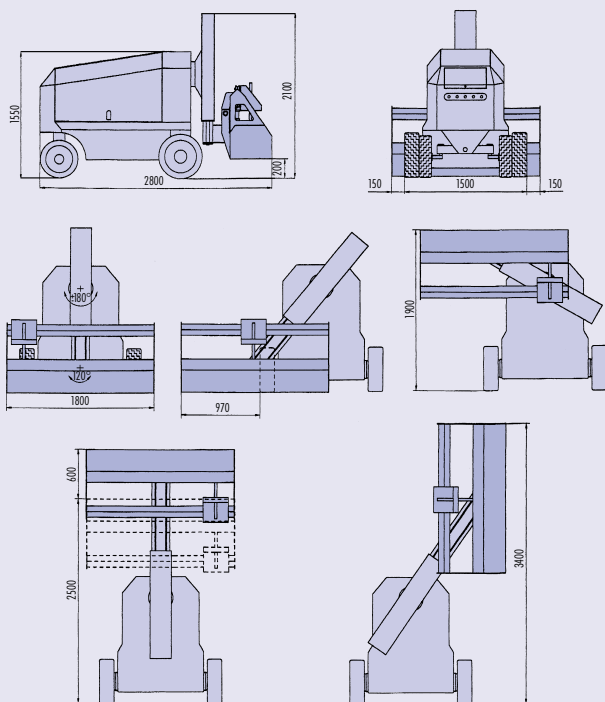
NEU

Vario Jet details

URACA

| Vario Jet | | H 30 | T 360 |
|------------------------------|----|------|-------|
| Power rating | kW | 5,5 | 5,5 |
| Length | mm | 2600 | 2800 |
| Width (without cutting unit) | mm | 1500 | 1500 |
| Height | mm | 1550 | 2100 |
| Width of cutting unit | mm | 1800 | 1800 |
| Cutting width | mm | 2000 | 2000 |
| Swivel range of cutting unit | ° | 15 | ± 180 |
| Working range left/right | mm | 400 | 970 |
| Vertical movement | mm | 400 | 2500 |
| Weight | kg | 1200 | 1600 |

Dimensions and working range Vario Jet T360



Control panel with display.



Remote control unit.



Hose guidance.



Tool holding fixture.

URACA GmbH + Co. KG
 Sirchinger Straße 15, D-72574 Bad Urach
 Tel. (0 71 25) 133-0, Fax (0 71 25) 133-202
 www.uraca.de
 marketing@uraca.de

Certified acc. DIN EN ISO 9001 by LRQA

Sales and service center Germany:
 North (Hamburg): (040) 6 53 09 37
 uraca-nord@t-online.de
 West (Mettmann): (0 21 04) 9 18 20
 info@uraca-west.de
 Southwest (Dettingen): (0 71 23) 8 83 41
 uraca.kolesch@t-online.de
 South (Mering): (0 82 33) 99 08
 uraca.reimann@t-online.de

URACA Ges. m. b. H.
 Westbahnstraße 3/9, Postfach 413
 A-1070 Vienna
 Tel. (1) 5 24 86 42, Fax (1) 5 24 86 43
 uraca-vie@netway.at

URACA France S.A.R.L.
 Z.I. Les Chanoux, 6, rue Paul Langevin
 F-93330 Neuilly sur Marne
 Tél. (1) 43 00 66 10, Fax (1) 43 09 91 08
 info@uraca.fr

URACA Far East
 109/20 Moo 4
 Eastern Seaboard Industrial Estate
 Tambon Pluak Daeng
 Amphur Pluak Daeng
 Rayong 21140, Thailand
 Phone (66) 38 955-255 (up to 260)
 Fax (66) 38 955-261
 info@uraca-far-east.com

URACA Sistemas e Processos Ltda.
 Rua Alcides Ricardini Neves, 12
 (Edifício Imperial Berrini Offices)
 8º Andar, Sala 802, Novo Brooklin
 CEP: 04575-050 São Paulo, SP, Brazil
 Fono/Fax: 55 (0 11) 55 05-89 12
 Fono: 55 (0 11) 55 05 68 63
 www.uraca.com.br
 uracasp@uol.com.br

Contact office:
 URACA Middle East
 Abu Dhabi, U.A.E.
 P.O. Box 47564
 Phone (971) 02 6 67 14 05
 Fax (971) 02 6 67 16 28
 Mobil (971) (0) 5 06 61 25 03
 heinrich@emirates.net.ae

